

Notice to Customers

- This unit is manufactured with precision elements.
- Pay attention to protection against dampness.
- Prevent the hard object from scratching LCD surface.
- LCD may have a few color dots, which is common for the matrix display technology, and doesn't indicate defects or fault.

***T*VIEW**

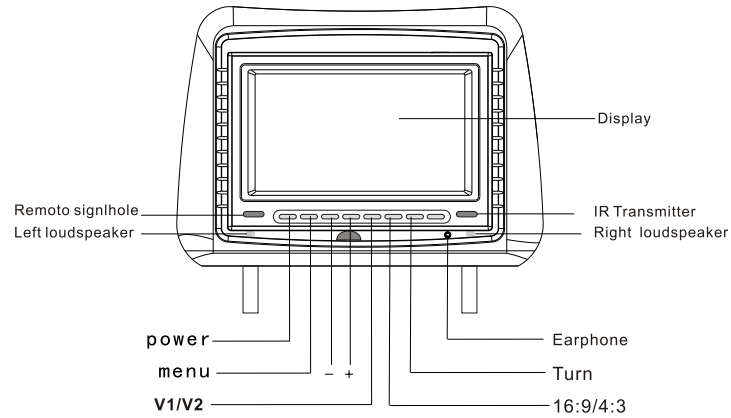
T929DVPL

TFT LCD HEADREST MONITOR

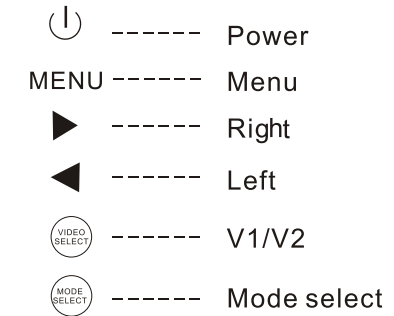
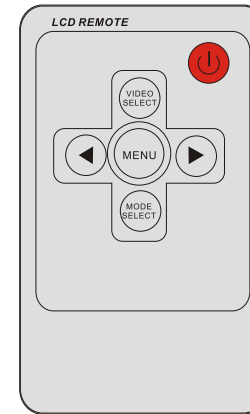


USER'S MANUAL

Control panel



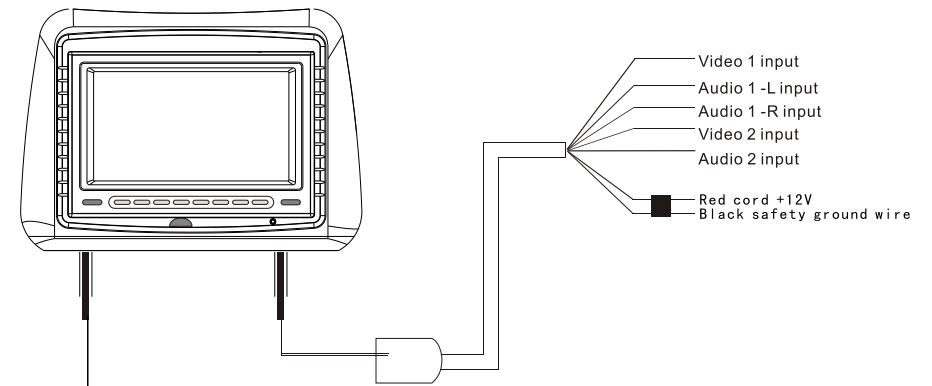
Remote control



Performance parameter

- Type:TFT LCD Monitor/World TV
- panel size:9"
- Display format:16:9
- Power consumption:About 7W
- Power supply:DC 12V
- Color System:NTSC/PAL
- Operation temperature:-5°C ~+40°C
- Pixel:640(W)×R/G/B×234(H)
- Overall dimension:320(W)×240(L)×125(H)mm
- Weight:about 1050g

Method of wiring



Notes:

- I . Please make the remote control align the infrared - receiving window When you operate it
- II . Please not oppress,drop moisten or dispatch remote control
- III. Please not press the key continuously,the gap time atleast is 2 seconds after it's operated.